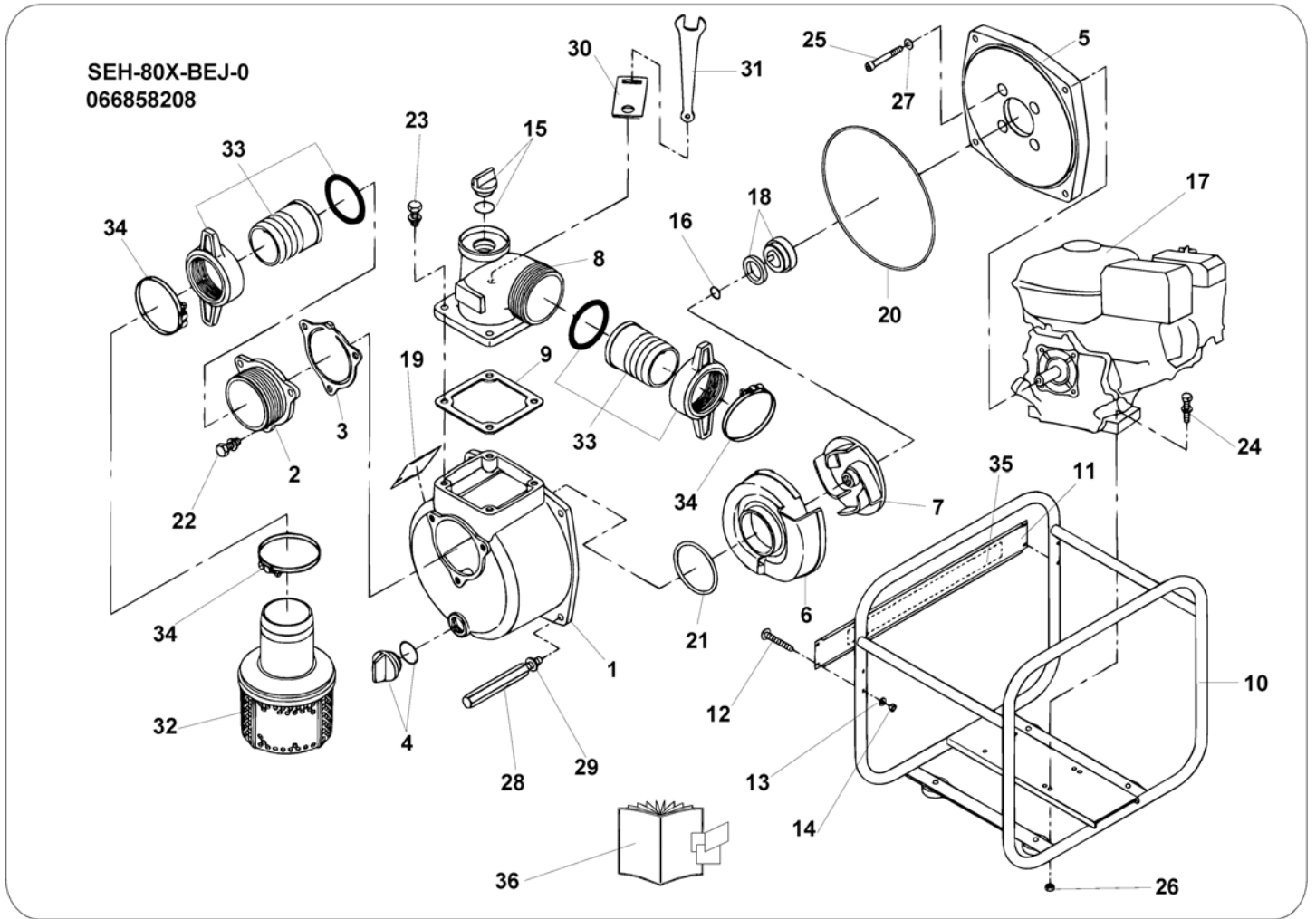


TR 3.60H

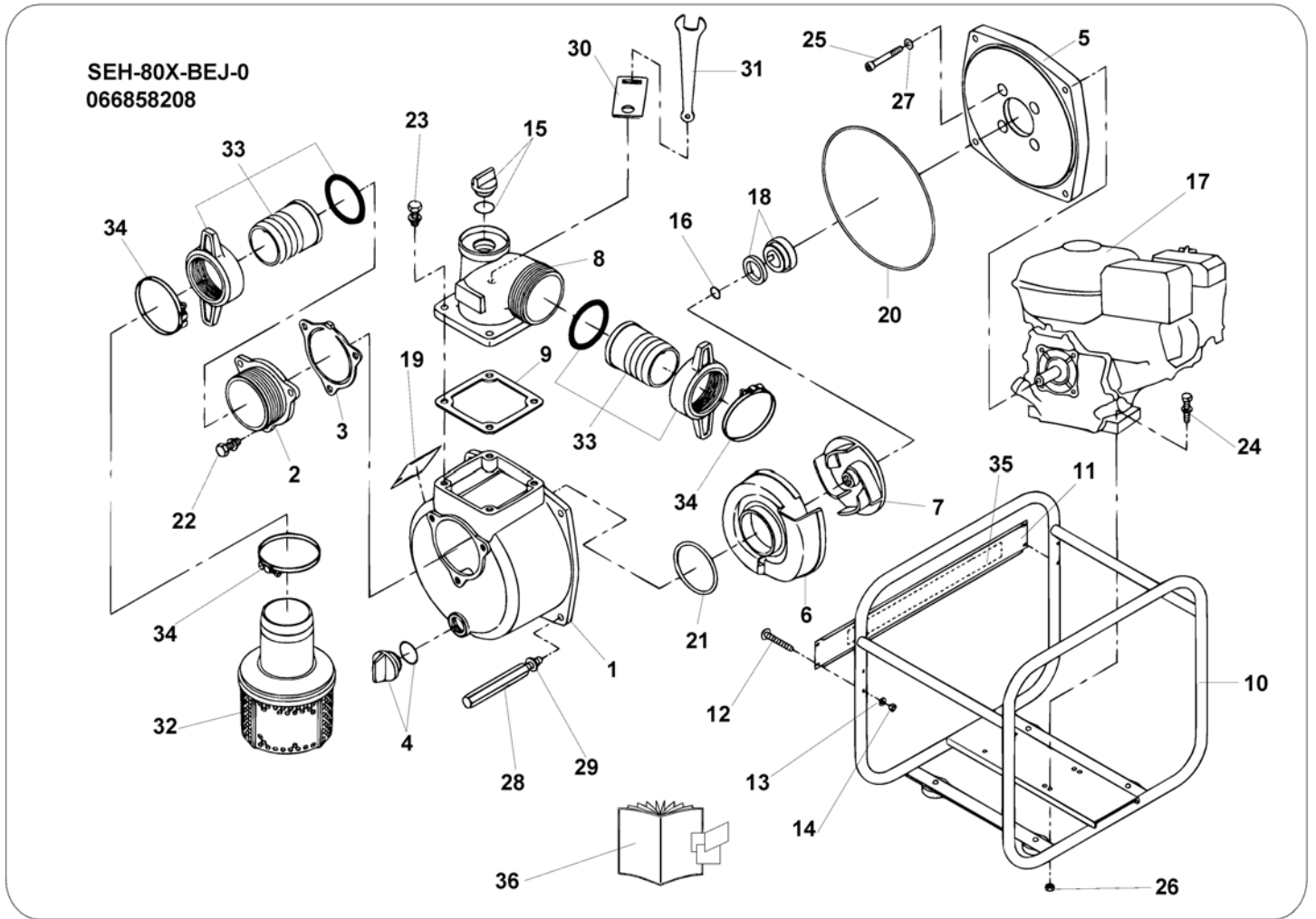
TR3.60H (SEH-80X-BEJ-0)



TR3.60H (SEH-80X-BEJ-0)
066858208

| Item | Part No. | Description | qty | Un | S/N from | S/N to | Ordering PN | Page |
|------|-----------|-----------------------------------|-----|----|----------|--------|-------------|------|
| 1 | 330490020 | PUMP CASING ADC | 1 | UN | | | | |
| 2 | 330490021 | SUCTION FLANGE ADC | 1 | UN | | | | |
| 3 | 330490022 | CHECK VALVE NBR | 1 | UN | | | | |
| 4 | 330490079 | 20A PLUG SET | 1 | UN | | | | 6 |
| 5 | 330490042 | FLANGE BRACKET ADC | 1 | UN | | | | |
| 6 | 330490051 | VOLUTE CASING FCD450 | 1 | UN | | | | |
| 7 | 330490347 | IMPELLER FCD450 | 1 | UN | | | | |
| 8 | 330490157 | DELEVERY FLANGE ADC | 1 | UN | | | | |
| 9 | 330490009 | FLANGE PACKING CR | 1 | UN | | | | |
| 10 | 330490341 | BASE SET | 1 | UN | | | | |
| 11 | 330490351 | SIDE PANEL | 1 | UN | | | | |
| 12 | 330490191 | SCREW M6X35 (SWCH) | 4 | UN | | | | |
| 13 | 330490179 | SPRING WASHER M8 (SWRM) | 4 | UN | | | | |
| 14 | 330490164 | U NUT M6 | 4 | UN | | | | |
| 15 | 330490080 | 25A PLUG SET | 1 | UN | | | | 8 |
| 16 | 330490004 | ADJUSTING WASHER (BSP) | 3 | UN | | | | |
| 17 | 011680701 | | 1 | UN | | | | 10 |
| 18 | 330490037 | MECHANICAL SEAL HJ-20 (B) BSIC | 1 | UN | | | | |
| 19 | 330490346 | NAME PLATE | 1 | UN | | | | |
| 20 | 330490035 | O-RING 1517-46.5 (NBR) | 1 | UN | | | | |
| 21 | 330490025 | O-RING P74 (NBR) | 1 | UN | | | | |
| 22 | 330490093 | HEXAGON BOLT M10X25 (SWRM) | 3 | UN | | | | |

TR3.60H (SEH-80X-BEJ-0)

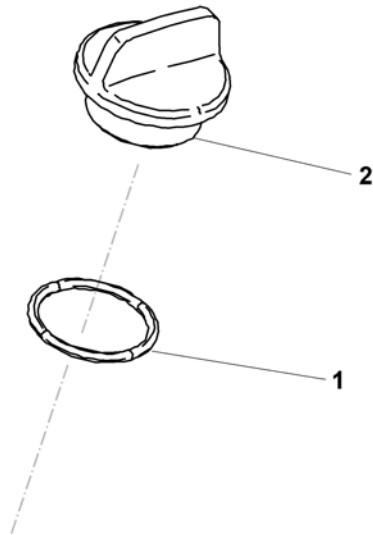


TR3.60H (SEH-80X-BEJ-0)
066858208

| Item | Part No. | Description | qty | Un | S/N from | S/N to | Ordering PN | Page |
|------|-----------|---|-----|----|----------|--------|-------------|------|
| 23 | 330490094 | HEXAGON BOLT <i>M10X30 (SWRM)</i> | 4 | UN | | | | |
| 24 | 330490092 | HEXAGON BOLT <i>M8X40 (SWRM)</i> | 4 | UN | | | | |
| 25 | 330490117 | HEXAGON SOCKET BOLT <i>M8X25 (SCM)</i> | 4 | UN | | | | |
| 26 | 330490099 | NUT <i>M8 (SWRM)</i> | 4 | UN | | | | |
| 27 | 330490103 | SEAL WASHER <i>Ø8</i> | 4 | UN | | | | |
| 28 | 330490052 | LONG BOLT <i>M10X160</i> | 4 | UN | | | | |
| 29 | 330490182 | SPRING WASHER <i>Ø10</i> | 4 | UN | | | | |
| 30 | 330490061 | SPANNER HOLDER <i>17MM</i> | 1 | UN | | | | |
| 31 | 330490159 | SPANNER <i>17MM</i> | 1 | UN | | | | |
| 32 | 330490113 | STRAINER <i>SPC</i> | 1 | UN | | | | |
| 33 | 330490076 | COUPLING SET <i>(ABS)</i> | 2 | UN | | | | 50 |
| 34 | 330490105 | HOSE BAND <i>Ø90</i> | 3 | UN | | | | |
| 35 | 330490343 | PLATE LABEL | 1 | UN | | | | |
| 36 | D58208 | MISCELLANEOUS | 1 | UN | | | | 54 |

20A PLUG SET

49₀₁₀

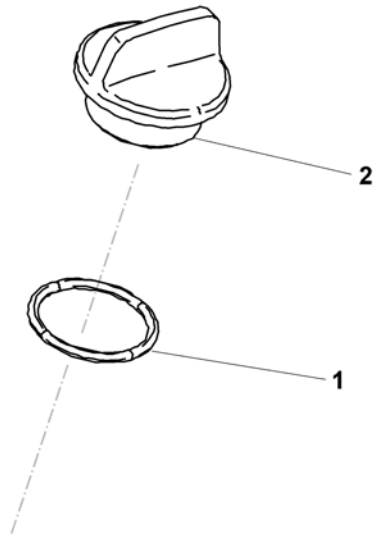


20A PLUG SET
330490079

| Item | Part No. | Description | qty | Un | S/N from | S/N to | Ordering PN | Page |
|------|-----------|--------------------|-----|----|----------|--------|-------------|------|
| 1 | 889955025 | seal (20A) | 1 | UN | | | | |
| 2 | 011002206 | 20A PLUG NO GASKET | 1 | UN | | | | |

25A PLUG SET

49₀₁₀



25A PLUG SET
330490080

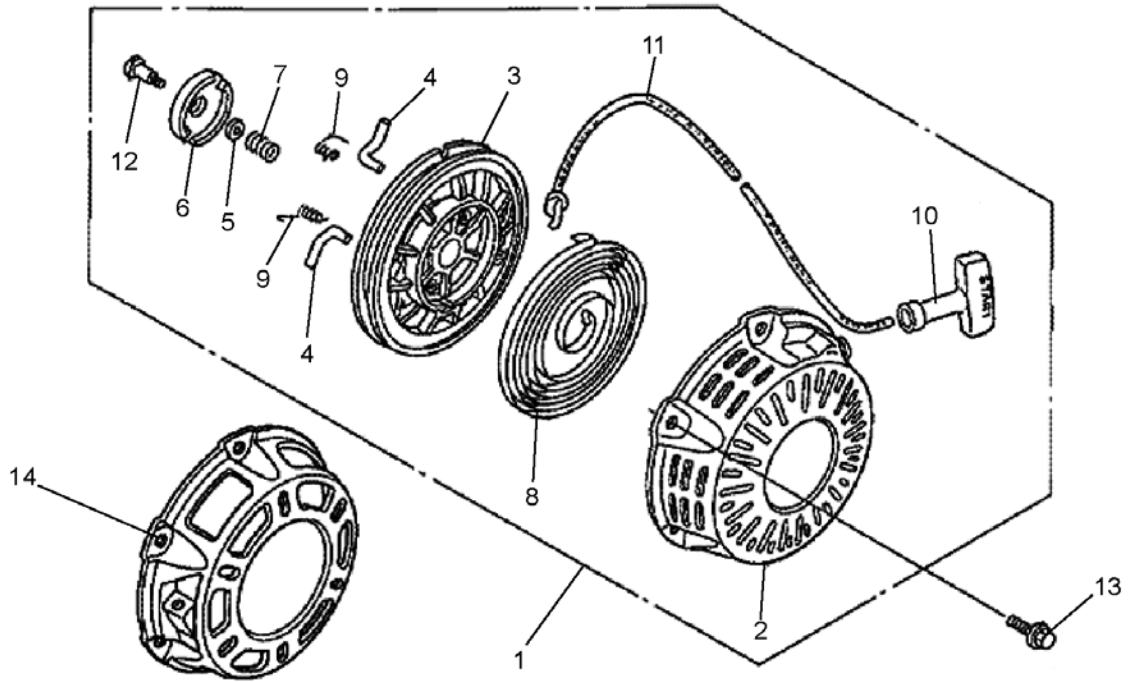
| Item | Part No. | Description | qty | Un | S/N from | S/N to | Ordering PN | Page |
|------|-----------|--|-----|----|----------|--------|-------------|------|
| 1 | 011016904 | 25A PLUG NO GASKET (NON REPRESENTE) | 1 | UN | | | | |
| 2 | 889855032 | seal (25A) | 1 | UN | | | | |

011680701

| Item | Part No. | Description | qty | Un | S/N from | S/N to | Ordering PN | Page |
|------|----------|-------------|-----|----|----------|--------|-------------|------|
| 1 | GX160UT1 | WKS | 1 | UN | | | | 12 |

GX160UT1 WKS

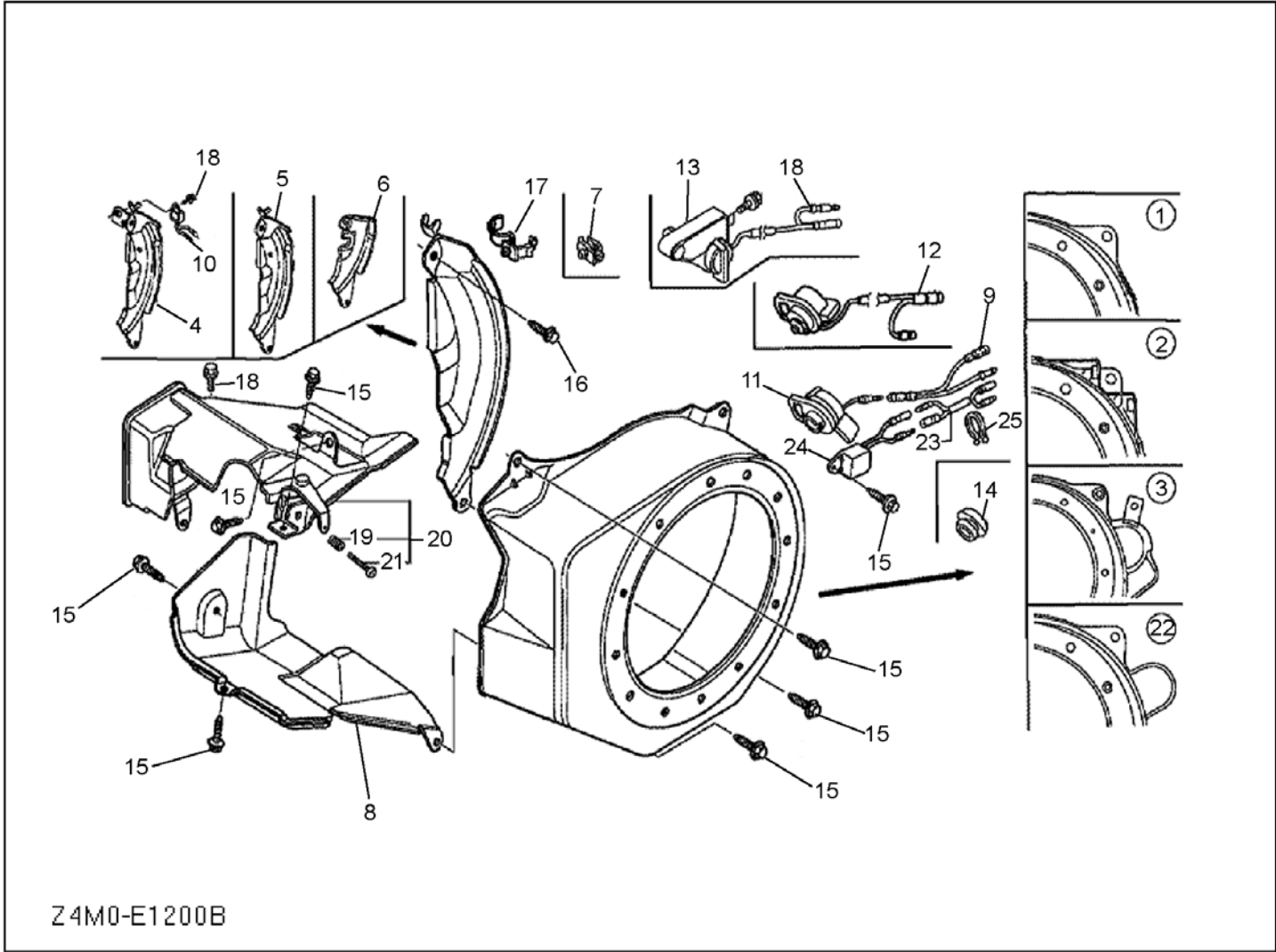
| Item | Part No. | Description | qty | Un | S/N from | S/N to | Ordering PN | Page |
|------|------------------------|-------------|-----|----|----------|--------|-------------|------|
| 1 | GX160UT1 WKS E-11 | | 1 | UN | | | | 14 |
| 2 | GX160UT1 WKS E-12 | | 1 | UN | | | | 16 |
| 3 | GX160UT1 WKS E-14 | | 1 | UN | | | | 18 |
| 4 | GX160UT1 WKS E-15-1 | | 1 | UN | | | | 20 |
| 5 | GX160UT1 WKS E-16 | | 1 | UN | | | | 22 |
| 6 | GX160UT1 WKS E-17 | | 1 | UN | | | | 24 |
| 7 | GX160UT1 WKS E-19 | | 1 | UN | | | | 26 |
| 8 | GX160UT1 WKS E-2 | | 1 | UN | | | | 28 |
| 9 | GX160UT1 WKS E-20 | | 1 | UN | | | | 30 |
| 10 | GX160UT1 WKS E-22 | | 1 | UN | | | | 32 |
| 11 | GX160UT1 WKS E-28 | | 1 | UN | | | | 34 |
| 12 | GX160UT1 WKS E-29 | | 1 | UN | | | | 36 |
| 13 | GX160UT1 WKS E-3 | | 1 | UN | | | | 38 |
| 14 | GX160UT1 WKS E-40 | | 1 | UN | | | | 40 |
| 15 | GX160UT1 WKS E-6 | | 1 | UN | | | | 42 |
| 16 | GX160UT1 WKS E-7 | | 1 | UN | | | | 44 |
| 17 | GX160UT1 WKS E-8 | | 1 | UN | | | | 46 |
| 18 | GX160UT1 WKS E-9 | | 1 | UN | | | | 48 |



Z4M0-E1100A

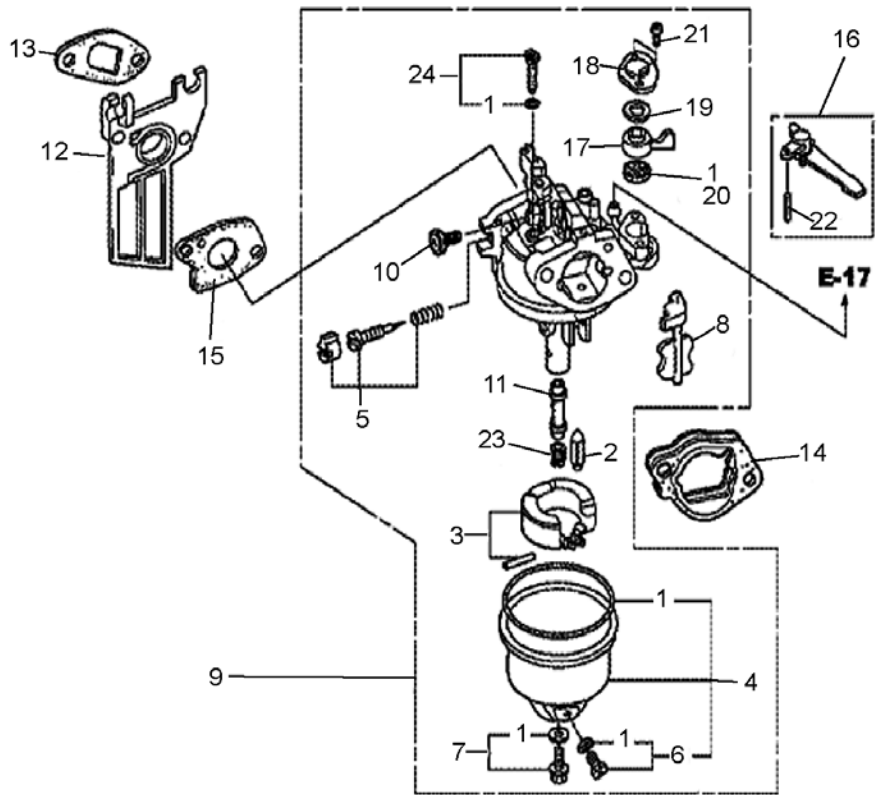
GX160UT1 WKS E-11

| Item | Part No. | Description | qty | Un | S/N from | S/N to | Ordering PN | Page |
|------|-----------------|-------------|-----|----|----------|--------|-------------|------|
| 1 | 28400-ZH8-023YA | | 1 | UN | | | | |
| 1 | 28400-ZH8-023ZB | | 1 | UN | | | | |
| 2 | 28410-ZH8-003YA | | 1 | UN | | | | |
| 2 | 28410-ZH8-003ZB | | 1 | UN | | | | |
| 3 | 28421-ZH8-801 | | 1 | UN | | | | |
| 4 | 28422-ZH8-801 | | 2 | UN | | | | |
| 5 | 28431-ZH8-801 | | 1 | UN | | | | |
| 6 | 28433-ZH8-801 | | 1 | UN | | | | |
| 7 | 28441-ZH8-801 | | 1 | UN | | | | |
| 8 | 28442-ZH8-003 | | 1 | UN | | | | |
| 9 | 28443-ZH8-801 | | 2 | UN | | | | |
| 10 | 28461-ZH8-003 | | 1 | UN | | | | |
| 11 | 28462-ZH8-003 | | 1 | UN | | | | |
| 12 | 90003-ZH8-801 | | 1 | UN | | | | |
| 13 | 90008-ZE2-003 | | 3 | UN | | | | |



GX160UT1 WKS E-12

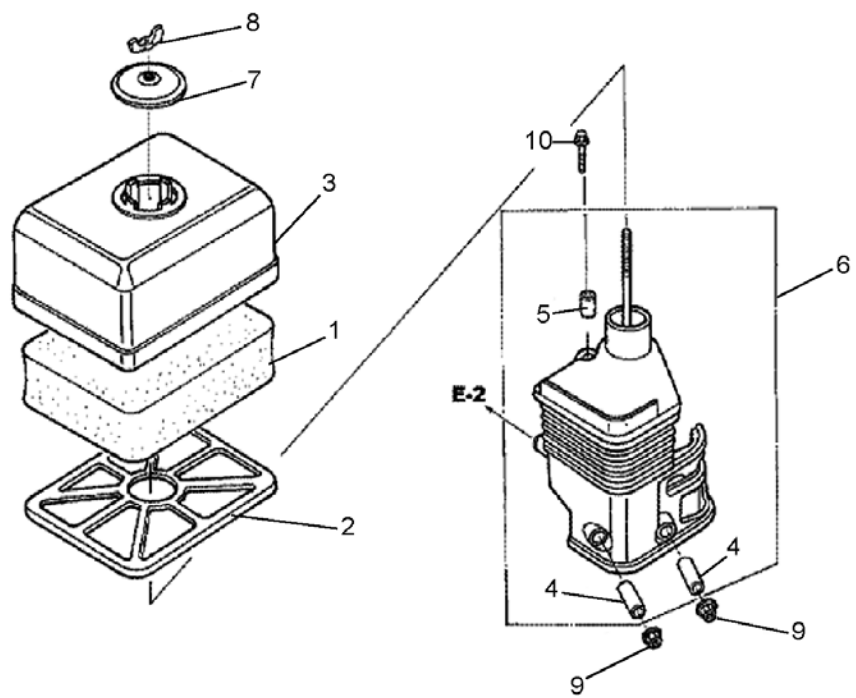
| Item | Part No. | Description | qty | Un | S/N from | S/N to | Ordering PN | Page |
|------|-----------------|-------------|-----|----|----------|---------|-------------|------|
| 1 | 19610-ZE1-000ZC | | 1 | UN | | 1746956 | | |
| 1 | 19610-ZE1-000ZP | | 1 | UN | | 1746956 | | |
| 1 | 19610-ZE1-010ZC | | 1 | UN | 1746957 | | | |
| 1 | 19610-ZE1-010ZP | | 1 | UN | | | | |
| 4 | 19611-ZH8-810 | | 1 | UN | | | | |
| 8 | 19630-ZH8-000 | | 1 | UN | | | | |
| 10 | 34150-ZH7-003 | | 1 | UN | | | | |
| 12 | 35120-Z0T-851 | | 1 | UN | | | | |
| 15 | 90013-883-000 | | 6 | UN | | | | |
| 16 | 90022-888-010 | | 1 | UN | | | | |
| 17 | 90601-ZH7-013 | | 1 | UN | | | | |
| 18 | 95701-0600800 | | 1 | UN | | | | |



Z4M0-E1400C

GX160UT1 WKS E-14

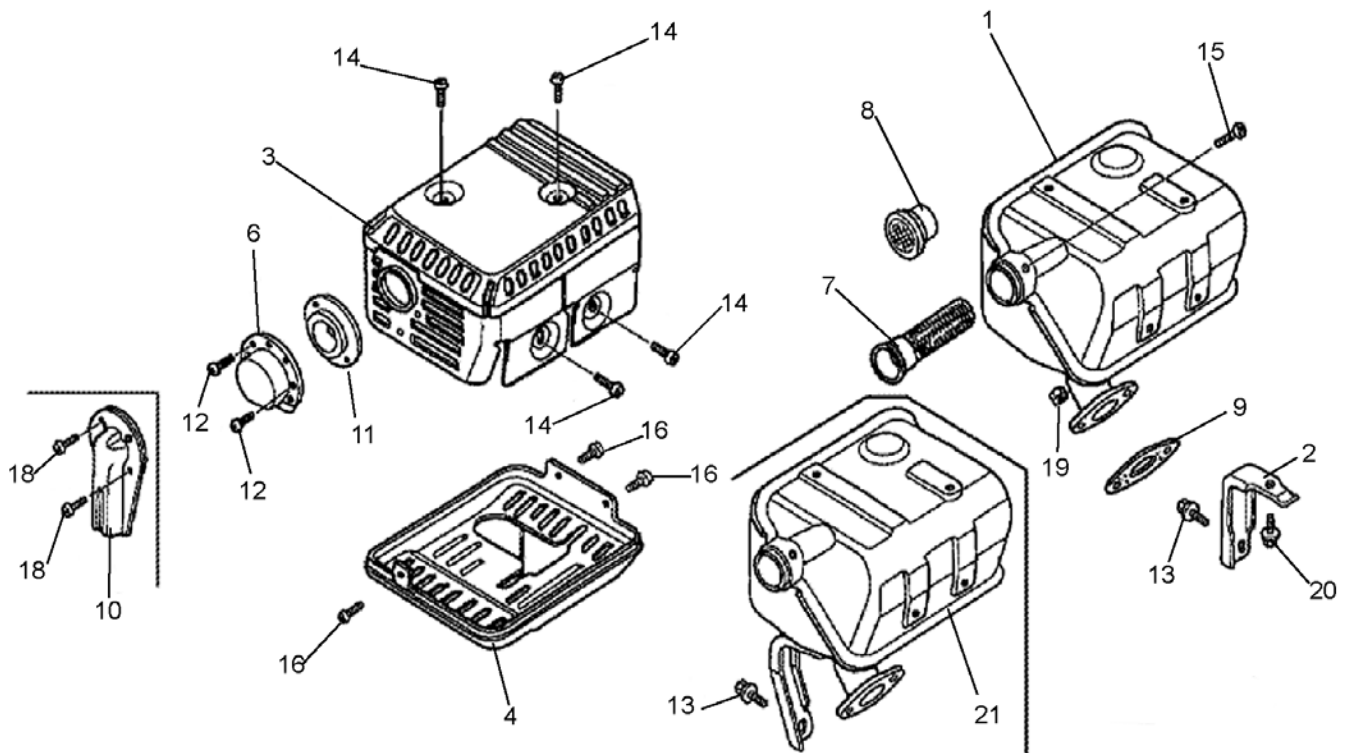
| Item | Part No. | Description | qty | Un | S/N from | S/N to | Ordering PN | Page |
|------|---------------|-------------|-----|----|----------|--------|-------------|------|
| 1 | 16010-ZE0-025 | | 1 | UN | | | | |
| 2 | 16011-ZE0-005 | | 1 | UN | | | | |
| 3 | 16013-Z0S-B01 | | 1 | UN | | | | |
| 4 | 16015-ZE0-831 | | 1 | UN | | | | |
| 5 | 16016-ZH7-W01 | | 1 | UN | | | | |
| 6 | 16024-ZE1-811 | | 1 | UN | | | | |
| 7 | 16028-ZE0-005 | | 1 | UN | | | | |
| 8 | 16044-ZE0-005 | | 1 | UN | | | | |
| 9 | 16100-Z0T-931 | | 1 | UN | | | | |
| 10 | 16124-ZE0-005 | | 1 | UN | | | | |
| 11 | 16166-ZH8-W60 | | 1 | UN | | | | |
| 12 | 16211-ZE1-000 | | 1 | UN | | | | |
| 13 | 16212-ZH8-800 | | 1 | UN | | | | |
| 14 | 16220-ZE1-020 | | 1 | UN | | | | |
| 15 | 16221-ZH8-801 | | 1 | UN | | | | |
| 16 | 16610-ZE1-000 | | 1 | UN | | | | |
| 17 | 16953-ZE1-812 | | 1 | UN | | | | |
| 18 | 16954-ZE1-812 | | 1 | UN | | | | |
| 19 | 16956-ZE1-811 | | 1 | UN | | | | |
| 20 | 16957-ZE1-812 | | 1 | UN | | | | |
| 21 | 93500-030061H | | 2 | UN | | | | |
| 22 | 94305-20122 | | 1 | UN | | | | |
| 23 | 99101-ZH80650 | | -1 | UN | | | | |
| 23 | 99101-ZH80680 | | -1 | UN | | | | |
| 23 | 99101-ZH80700 | | 1 | UN | | | | |
| 24 | 99204-ZE00350 | | 1 | UN | | | | |



Z4M0-E1501

GX160UT1 WKS E-15-1

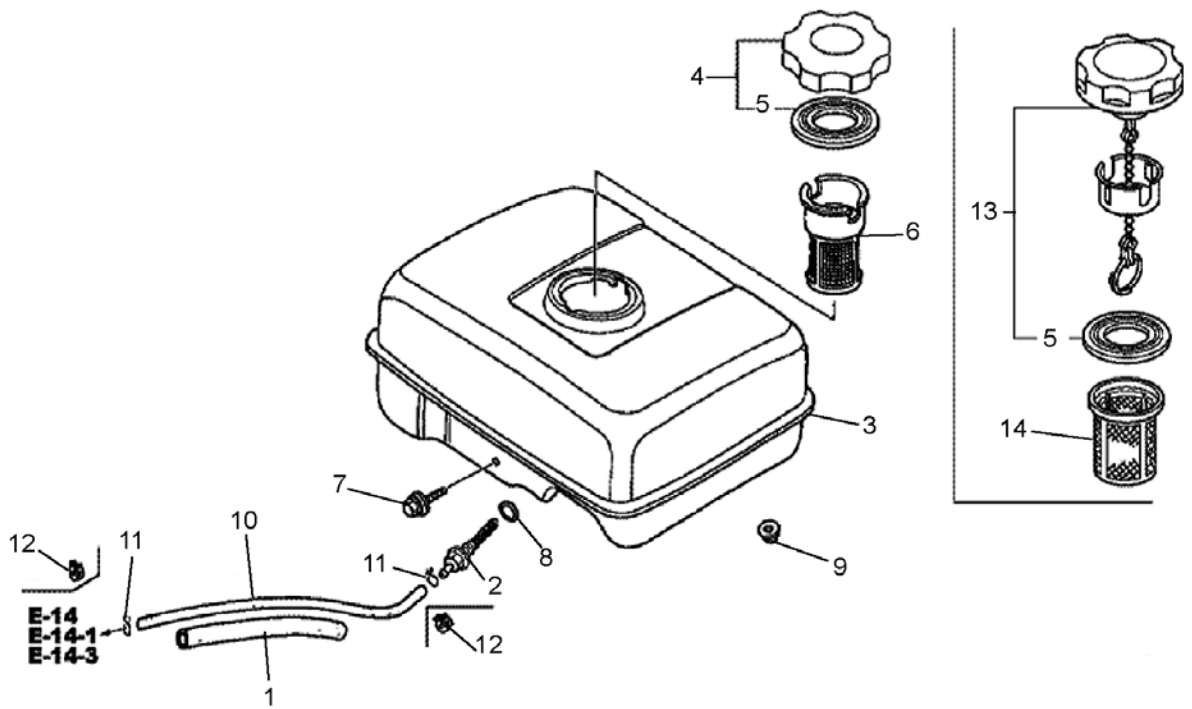
| Item | Part No. | Description | qty | Un | S/N from | S/N to | Ordering PN | Page |
|------|---------------|-------------|-----|----|----------|--------|-------------|------|
| 1 | 17211-ZE1-000 | | 1 | UN | | | | |
| 2 | 17212-ZE1-000 | | 1 | UN | | | | |
| 3 | 17231-ZE1-000 | | 1 | UN | | | | |
| 4 | 17238-ZE7-010 | | 2 | UN | | | | |
| 5 | 17239-ZE1-000 | | 1 | UN | | | | |
| 6 | 17410-ZE1-020 | | 1 | UN | | | | |
| 7 | 17421-ZE1-000 | | 1 | UN | | | | |
| 8 | 90325-044-000 | | 1 | UN | | | | |
| 9 | 94050-06000 | | 2 | UN | | | | |
| 10 | 95701-0602000 | | 1 | UN | | | | |



Z4M0-E1600B

GX160UT1 WKS E-16

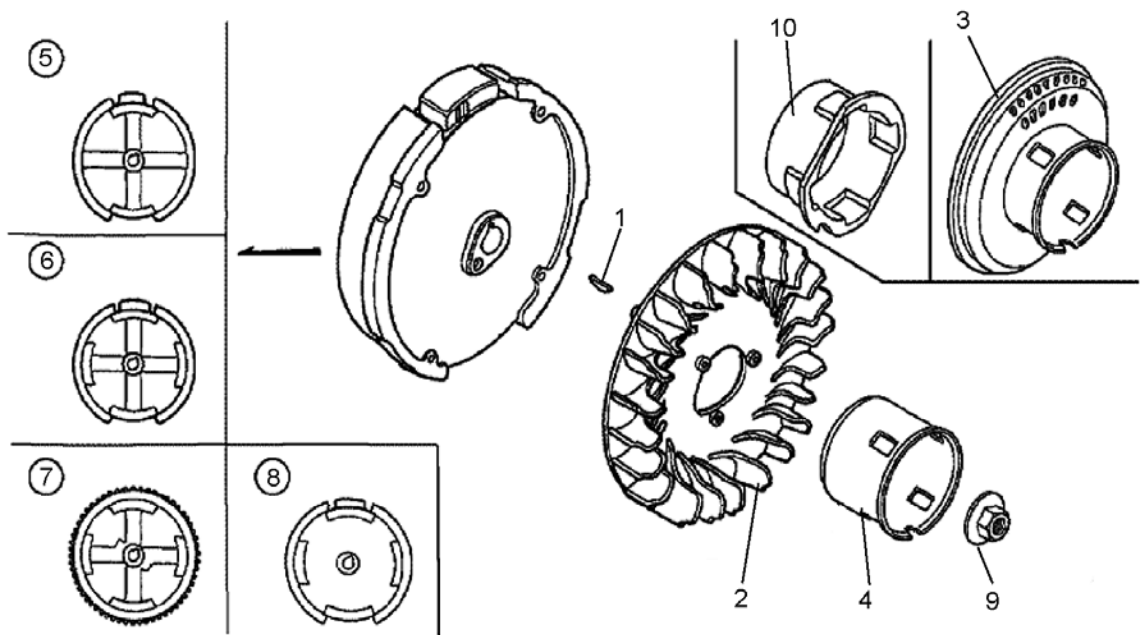
| Item | Part No. | Description | qty | Un | S/N from | S/N to | Ordering PN | Page |
|------|---------------|-------------|-----|----|----------|---------|-------------|------|
| 1 | 18310-ZF1-000 | | 1 | UN | | | | |
| 1 | 18310-ZH8-810 | | -1 | UN | | | | |
| 3 | 18320-ZF1-H01 | | 1 | UN | | | | |
| 7 | 18355-ZE1-000 | | -1 | UN | | | | |
| 9 | 18381-Z0T-801 | | 1 | UN | | | | |
| 9 | 18381-ZH8-800 | | 1 | UN | | 1394710 | | |
| 14 | 90050-ZE1-000 | | 4 | UN | | | | |
| 15 | 90055-ZE1-000 | | -1 | UN | | | | |
| 19 | 94001-080000S | | 2 | UN | | | | |



Z4M0-E1700D

GX160UT1 WKS E-17

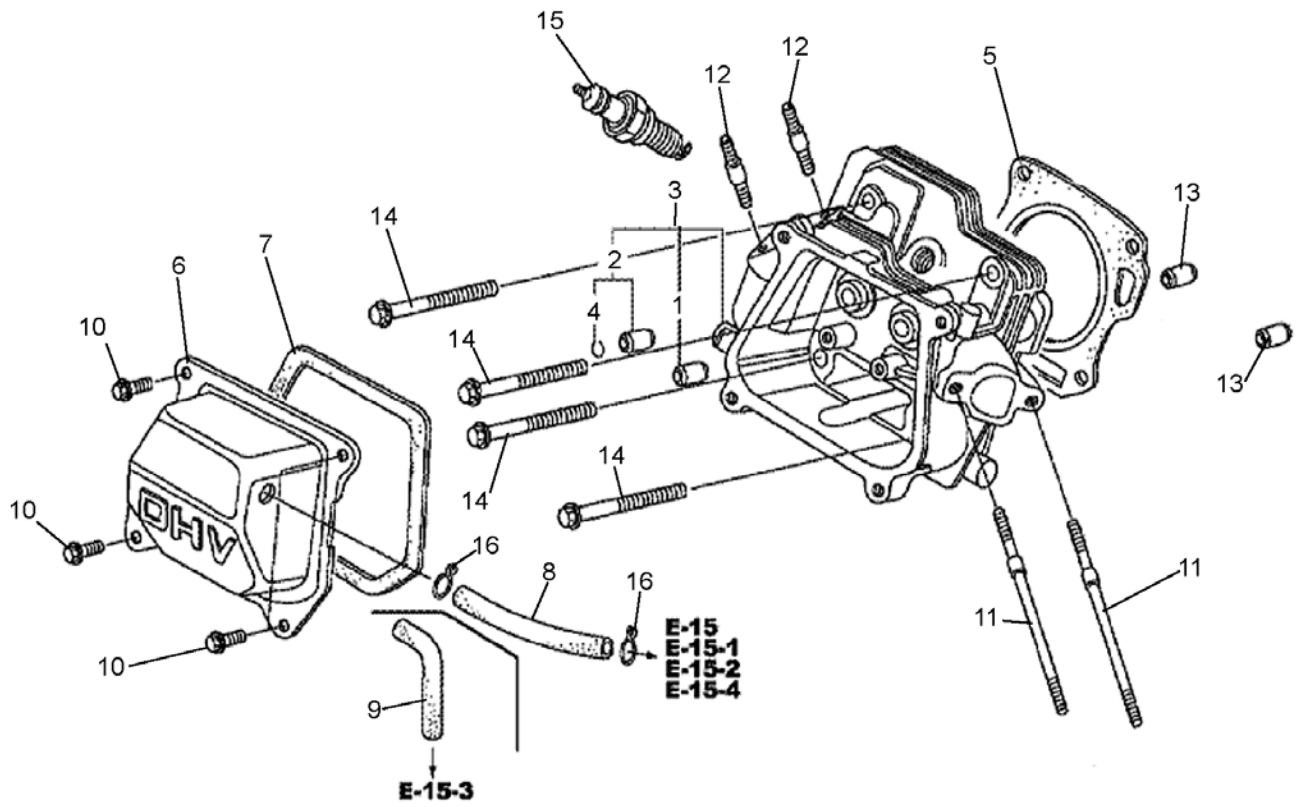
| Item | Part No. | Description | qty | Un | S/N from | S/N to | Ordering PN | Page |
|------|-----------------|-------------|-----|----|----------|---------|-------------|------|
| 1 | 16854-ZH8-000 | | 1 | UN | | | | |
| 2 | 16955-ZE1-000 | | 1 | UN | | | | |
| 3 | 17510-Z0T-000ZA | | 1 | UN | | 2189652 | | |
| 3 | 17510-Z0T-000ZC | | 1 | UN | | 2189652 | | |
| 3 | 17510-Z0T-010ZA | | 1 | UN | 2189653 | | | |
| 3 | 17510-Z0T-010ZC | | 1 | UN | | | | |
| 4 | 17620-Z0T-813 | | 1 | UN | | 1706983 | | |
| 5 | 17631-Z0T-801 | | 1 | UN | | 1991087 | | |
| 5 | 17631-Z0T-801 | | 1 | UN | 2125382 | | | |
| 5 | 17631-Z4H-800 | | 1 | UN | 1991088 | 2125381 | | |
| 6 | 17672-ZE2-W01 | | -1 | UN | | 1706983 | | |
| 7 | 90004-ZH7-003 | | 1 | UN | | | | |
| 8 | 91353-671-004 | | 1 | UN | | | | |
| 9 | 94050-06000 | | 2 | UN | | | | |
| 10 | 91424-Z4F-801 | | 1 | UN | 1268514 | | | |
| 10 | 95001-4514040 | | 1 | UN | | 1268513 | | |
| 11 | 95002-02080 | | 2 | UN | | 1268513 | | |
| 12 | 95002-4080008 | | 2 | UN | | | | |
| 13 | 17620-Z4H-000 | | 1 | UN | 1706984 | 1991087 | | |
| 13 | 17620-Z4H-010 | | 1 | UN | 1991088 | 2125381 | | |
| 13 | 17620-Z4H-020 | | 1 | UN | 2125382 | | | |
| 14 | 17672-Z4H-000 | | -1 | UN | 1706984 | | | |



Z4M0-E1900A

GX160UT1 WKS E-19

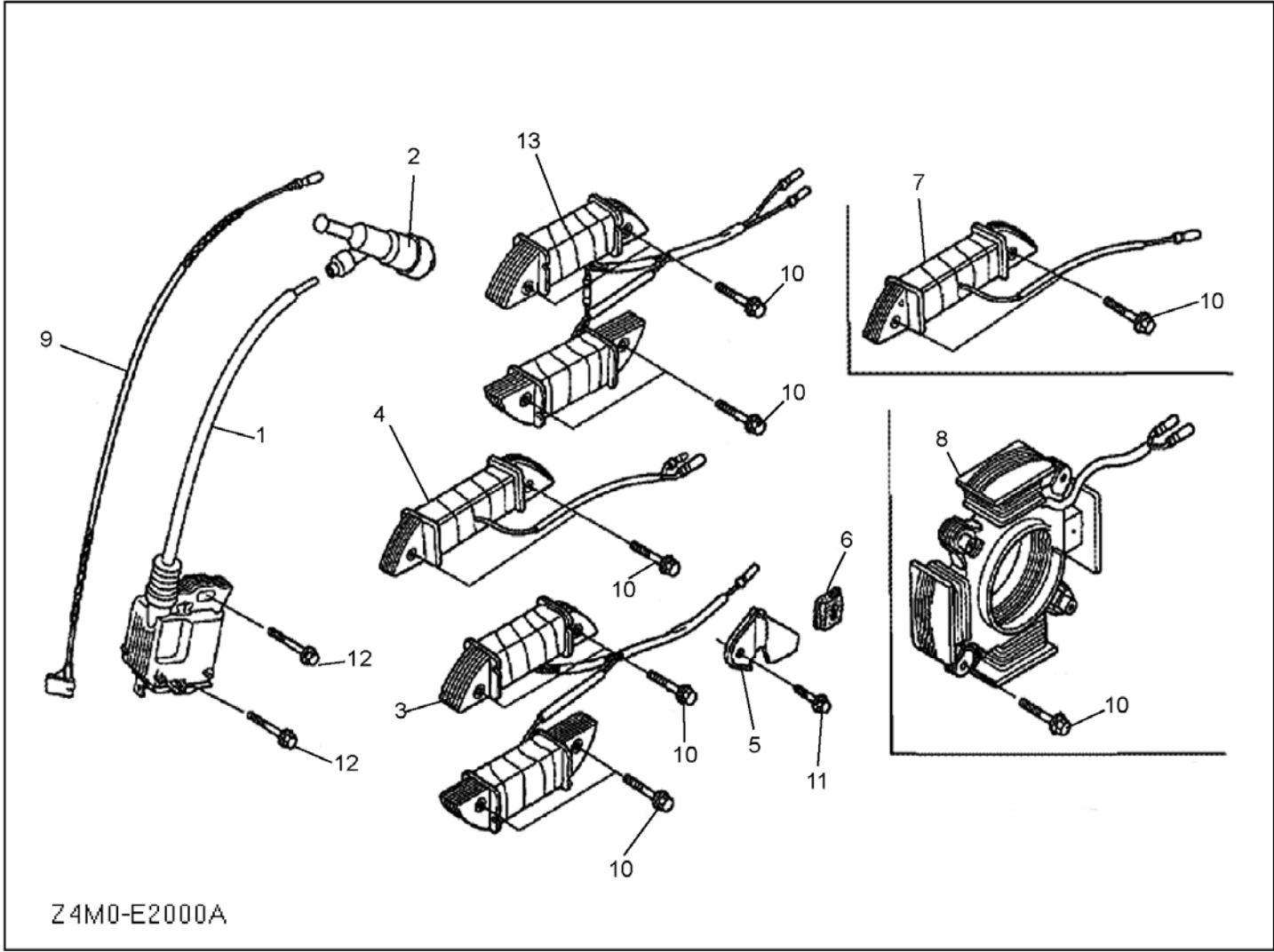
| Item | Part No. | Description | qty | Un | S/N from | S/N to | Ordering PN | Page |
|------|---------------|-------------|-----|----|----------|--------|-------------|------|
| 1 | 13331-357-000 | | 1 | UN | | | | |
| 2 | 19511-ZE1-000 | | 1 | UN | | | | |
| 4 | 28451-ZH8-801 | | 1 | UN | | | | |
| 5 | 31100-ZE1-010 | | 1 | UN | | | | |
| 9 | 90201-Z0T-800 | | 1 | UN | | | | |



Z4M0-E0200B

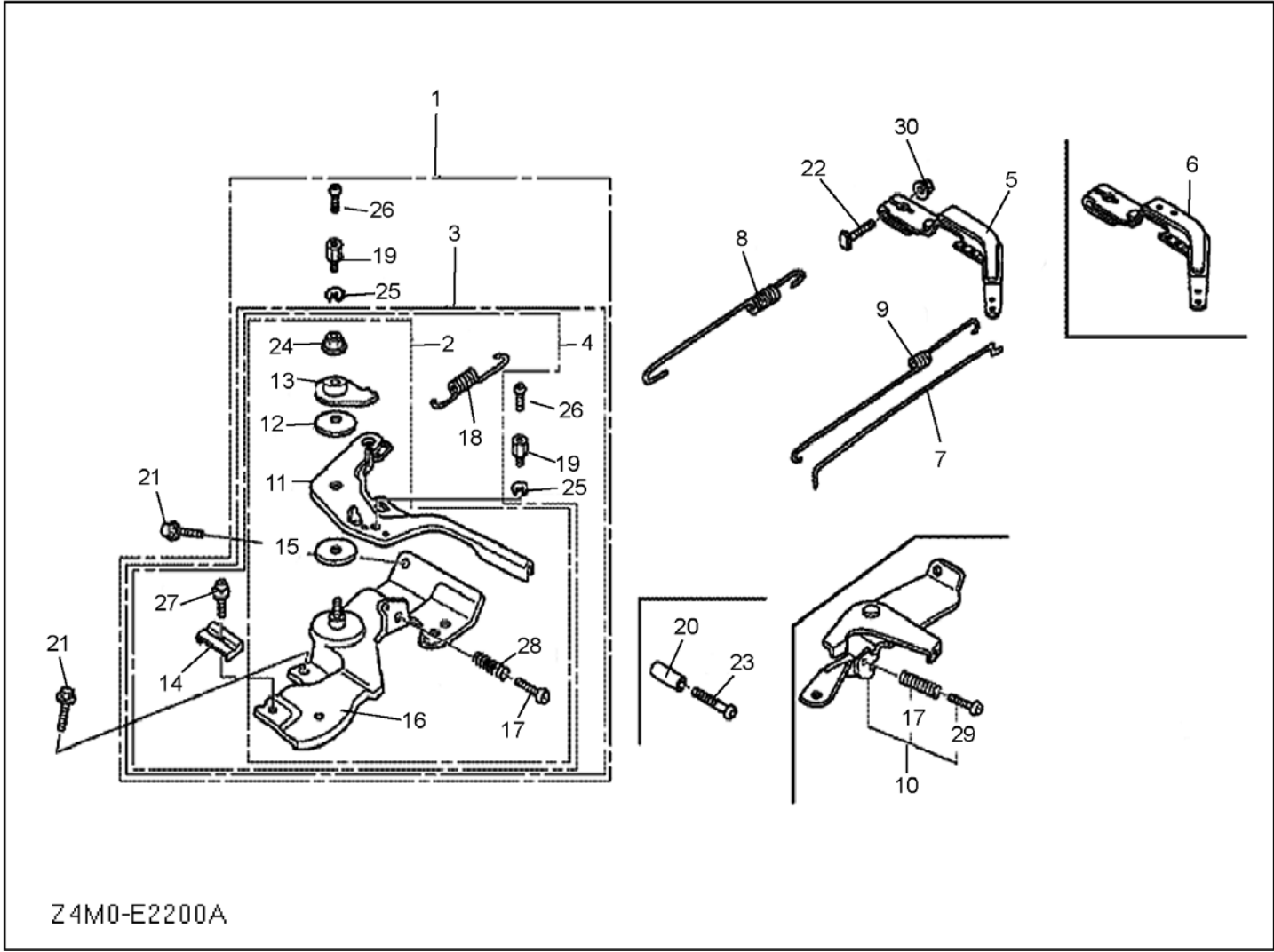
GX160UT1 WKS E-2

| Item | Part No. | Description | qty | Un | S/N from | S/N to | Ordering PN | Page |
|------|---------------|-------------|-----|----|----------|---------|-------------|------|
| 1 | 12204-ZE1-306 | | 1 | UN | | | | |
| 2 | 12205-ZE1-315 | | 1 | UN | | | | |
| 3 | 12210-ZH8-415 | | 1 | UN | | | | |
| 4 | 12216-ZE5-300 | | 1 | UN | | | | |
| 5 | 12251-Z0T-801 | | 1 | UN | 1394711 | | | |
| 5 | 12251-ZF1-800 | | 1 | UN | | 1584276 | | |
| 6 | 12310-ZE1-020 | | 1 | UN | | | | |
| 7 | 12391-ZE1-000 | | 1 | UN | | | | |
| 8 | 15721-ZH8-000 | | 1 | UN | | | | |
| 10 | 90013-883-000 | | 4 | UN | | | | |
| 11 | 90043-ZE1-020 | | 2 | UN | | | | |
| 12 | 90047-ZE1-000 | | 2 | UN | 1888454 | | | |
| 13 | 94301-10160 | | 2 | UN | | | | |
| 14 | 95701-0806000 | | 4 | UN | 1891380 | | | |
| 14 | 95723-0806000 | | 4 | UN | | 1891379 | | |
| 15 | 98079-56876 | | 1 | UN | | | | |



GX160UT1 WKS E-20

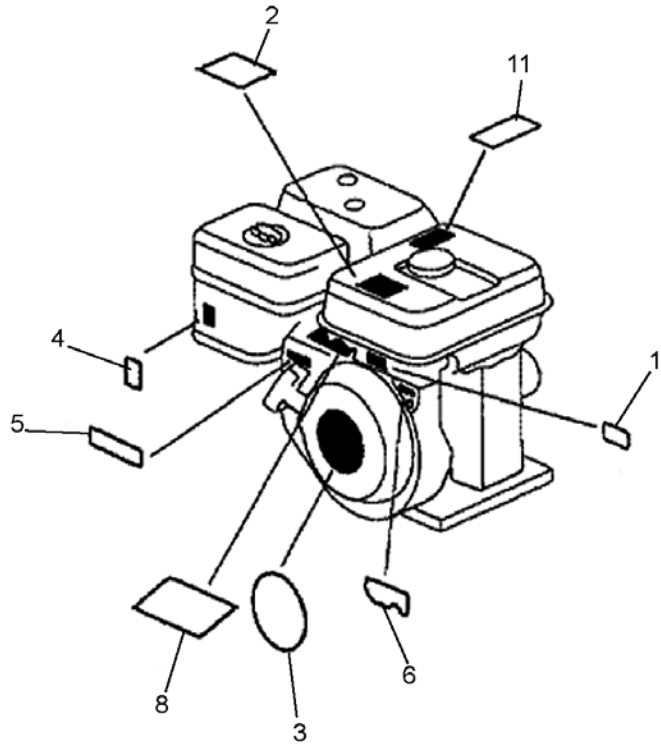
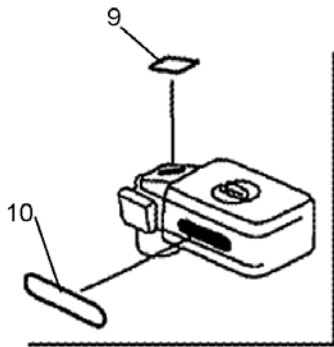
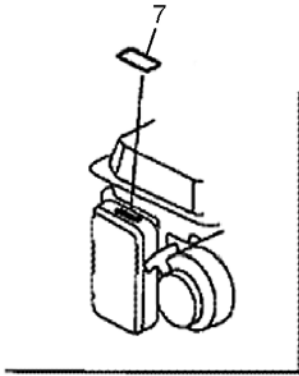
| Item | Part No. | Description | qty | Un | S/N from | S/N to | Ordering PN | Page |
|------|---------------|-------------|-----|----|----------|--------|-------------|------|
| 1 | 30500-Z0T-801 | | 1 | UN | 1584276 | | | |
| 1 | 30500-Z0T-802 | | 1 | UN | | | | |
| 2 | 30700-Z0T-811 | | 1 | UN | | | | |
| 9 | 36101-ZE1-010 | | 1 | UN | | | | |
| 12 | 90121-952-000 | | 2 | UN | | | | |



Z4M0-E2200A

GX160UT1 WKS E-22

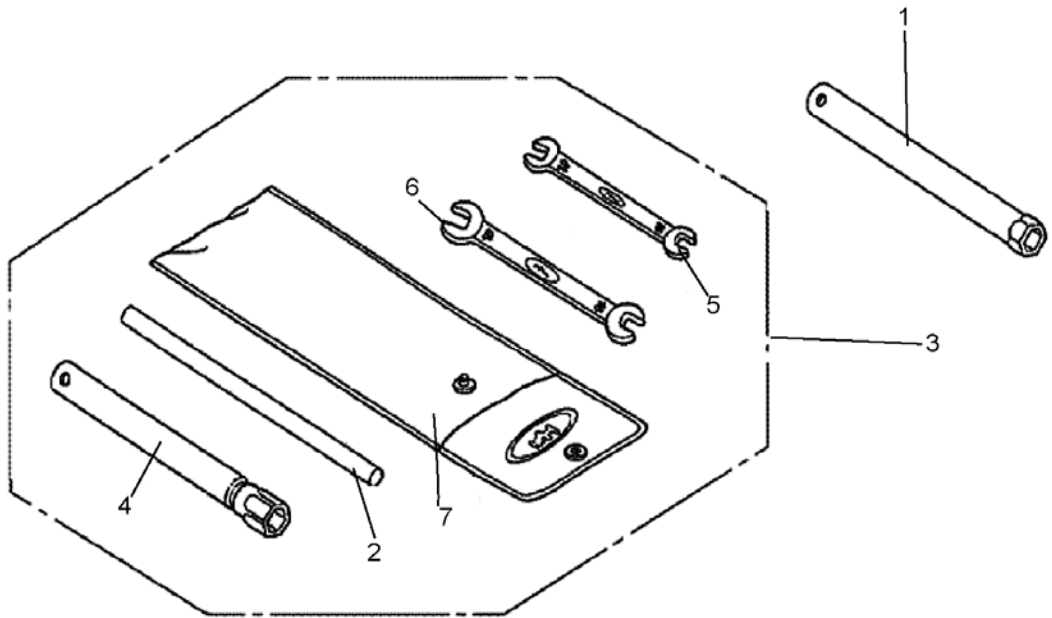
| Item | Part No. | Description | qty | Un | S/N from | S/N to | Ordering PN | Page |
|------|---------------|-------------|-----|----|----------|--------|-------------|------|
| 2 | 16500-ZH8-030 | | 1 | UN | | | | |
| 5 | 16551-ZE0-010 | | 1 | UN | | | | |
| 7 | 16555-ZE1-000 | | 1 | UN | | | | |
| 8 | 16561-ZE1-020 | | 1 | UN | | | | |
| 9 | 16562-ZE1-020 | | 1 | UN | | | | |
| 11 | 16571-ZH8-020 | | 1 | UN | | | | |
| 12 | 16574-ZE1-000 | | 1 | UN | | | | |
| 13 | 16575-ZH8-000 | | 1 | UN | | | | |
| 15 | 16578-ZE1-000 | | 1 | UN | | | | |
| 16 | 16580-ZH8-030 | | 1 | UN | | | | |
| 17 | 16584-883-300 | | 1 | UN | | | | |
| 21 | 90013-883-000 | | 2 | UN | | | | |
| 22 | 90015-ZE5-010 | | 1 | UN | | | | |
| 24 | 90114-SA0-000 | | 1 | UN | | | | |
| 28 | 93500-050250A | | 1 | UN | | | | |
| 30 | 94050-06000 | | 1 | UN | | | | |



Z4M0-E2800D

GX160UT1 WKS E-28

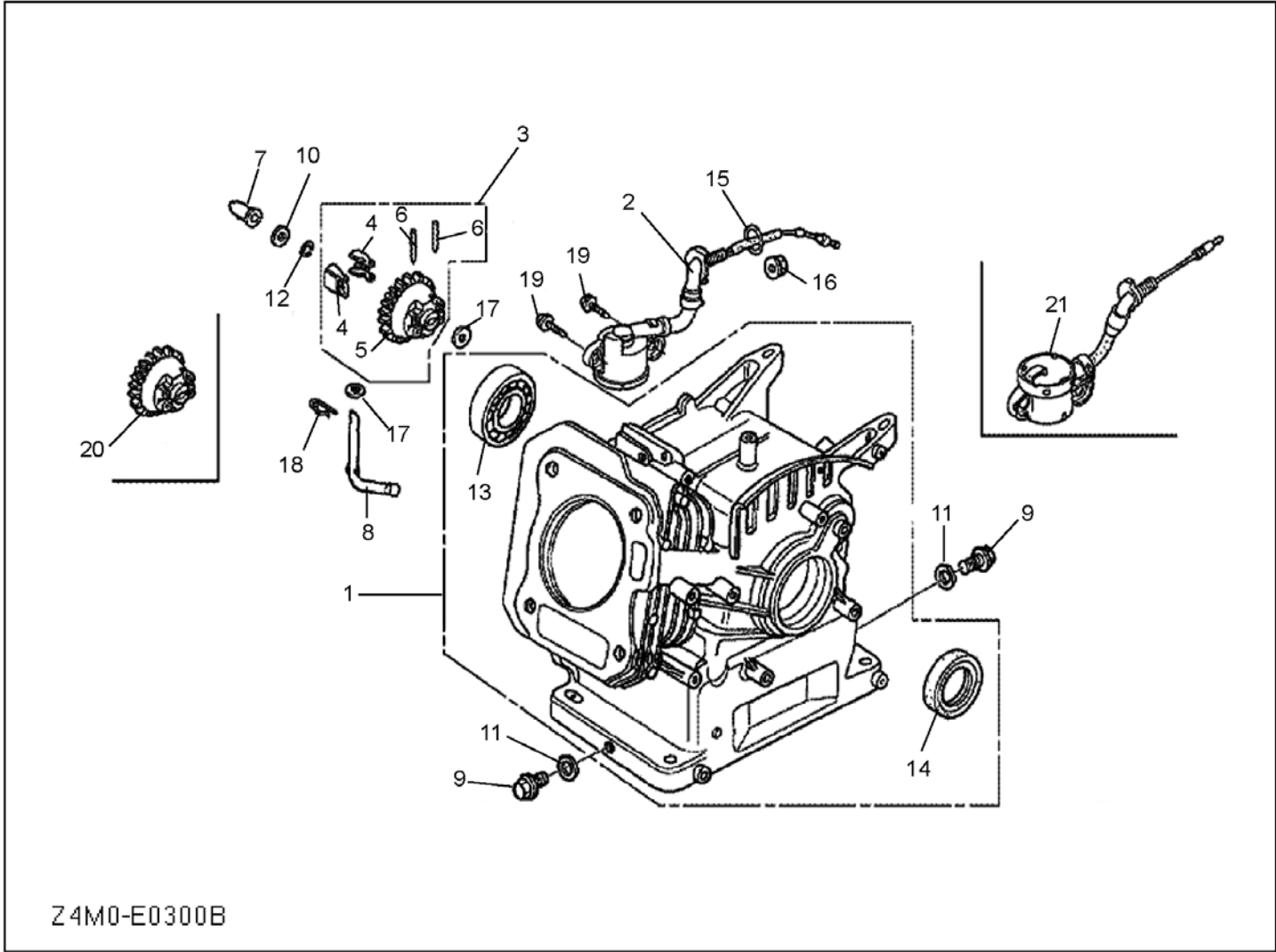
| Item | Part No. | Description | qty | Un | S/N from | S/N to | Ordering PN | Page |
|------|---------------|-------------|-----|----|----------|---------|-------------|------|
| 2 | 87516-Z4H-000 | | 1 | UN | | | | |
| 2 | 87516-Z4H-800 | | 1 | UN | | | | |
| 2 | 87516-Z4H-810 | | -1 | UN | | | | |
| 3 | 87521-ZH8-030 | | 1 | UN | | 1782484 | | |
| 3 | 87521-ZH8-040 | | 1 | UN | 1782485 | | | |
| 4 | 87528-ZH7-000 | | 1 | UN | | | | |
| 5 | 87532-ZH7-000 | | 1 | UN | | | | |



Z4M0-E2900B

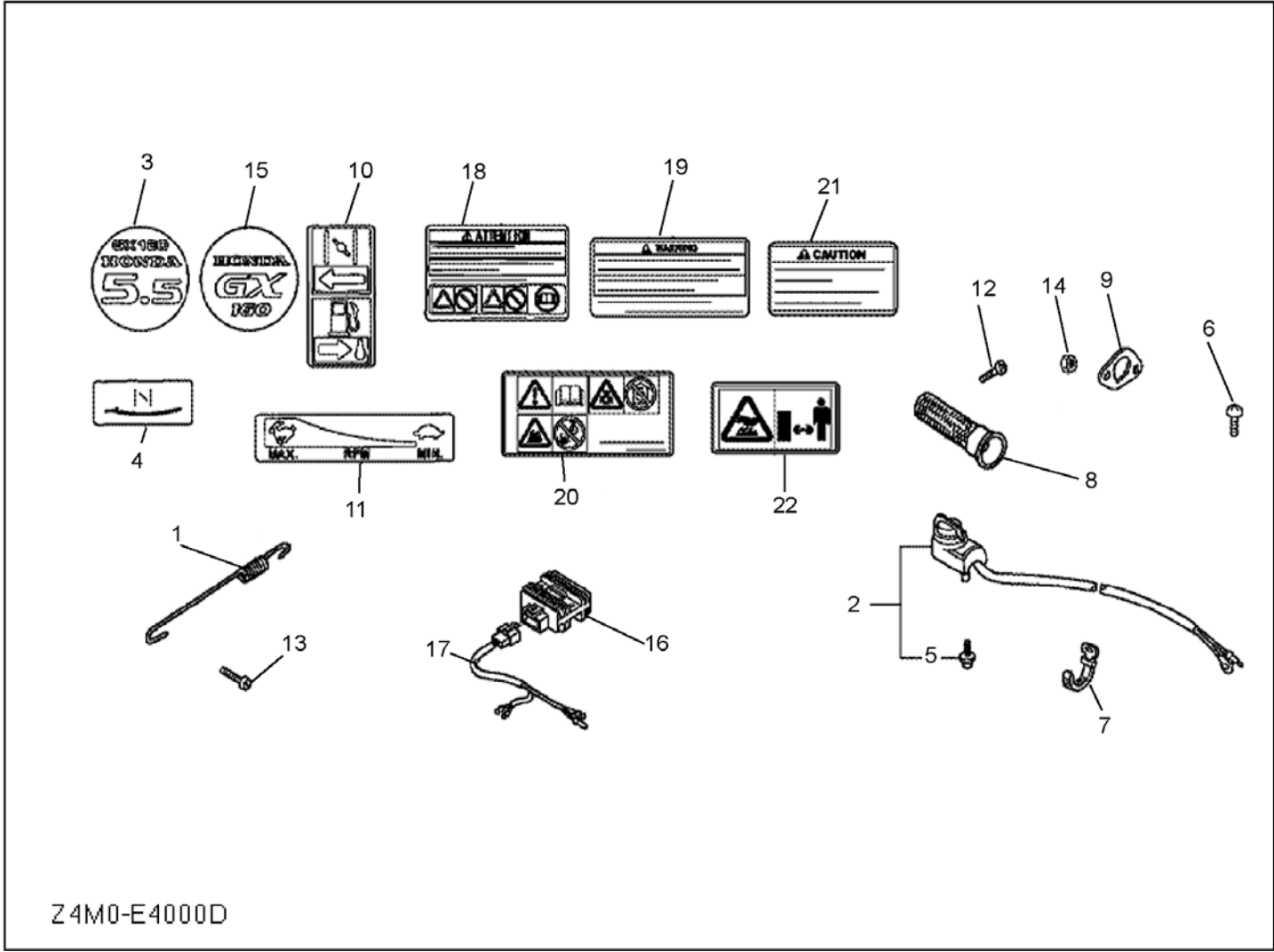
GX160UT1 WKS E-29

| Item | Part No. | Description | qty | Un | S/N from | S/N to | Ordering PN | Page |
|------|---------------|-------------|-----|----|----------|--------|-------------|------|
| 1 | 89216-Z0T-800 | | -1 | UN | | | | |
| 2 | 89219-805-000 | | 1 | UN | | | | |



GX160UT1 WKS E-3

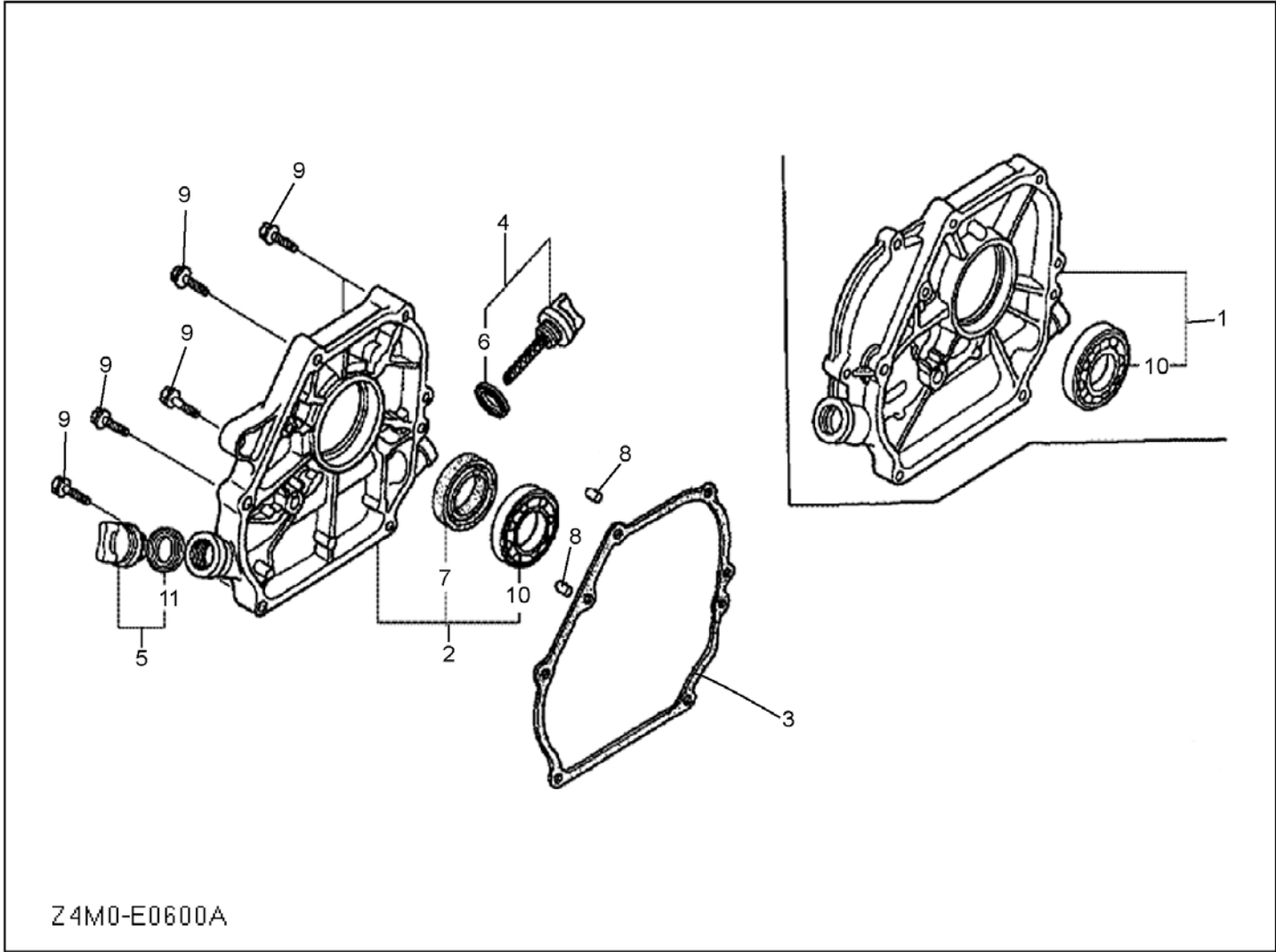
| Item | Part No. | Description | qty | Un | S/N from | S/N to | Ordering PN | Page |
|------|---------------|-------------|-----|----|----------|---------|-------------|------|
| 1 | 12000-Z0T-406 | | 1 | UN | | | | |
| 2 | 15510-ZE1-033 | | 1 | UN | | 1706983 | | |
| 3 | 16510-ZE1-000 | | -1 | UN | | | | |
| 4 | 16511-ZE1-000 | | -2 | UN | | | | |
| 5 | 16512-ZE1-000 | | -1 | UN | | | | |
| 6 | 16513-ZE1-000 | | -2 | UN | | | | |
| 7 | 16531-ZE1-000 | | 1 | UN | | | | |
| 8 | 16541-ZE1-000 | | 1 | UN | | | | |
| 9 | 90131-ZE1-000 | | 2 | UN | | | | |
| 10 | 90451-ZE1-000 | | 1 | UN | | | | |
| 11 | 90601-ZE1-000 | | 2 | UN | | | | |
| 12 | 90602-ZE1-000 | | 1 | UN | | | | |
| 13 | 91001-Z4X-003 | | 1 | UN | | | | |
| 13 | 91001-ZF1-003 | | 1 | UN | | | | |
| 13 | 91001-ZF1-004 | | 1 | UN | | | | |
| 14 | 91201-Z0T-801 | | 1 | UN | | | | |
| 15 | 91353-671-004 | | 1 | UN | | | | |
| 16 | 94050-10000 | | 1 | UN | | | | |
| 17 | 94101-06800 | | 2 | UN | | | | |
| 18 | 94251-08000 | | 1 | UN | | | | |
| 19 | 95701-0601200 | | 2 | UN | | | | |
| 21 | 35480-Z0T-003 | | 1 | UN | 1706984 | | | |



Z4M0-E4000D

GX160UT1 WKS E-40

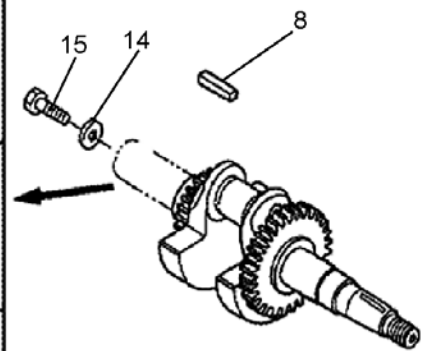
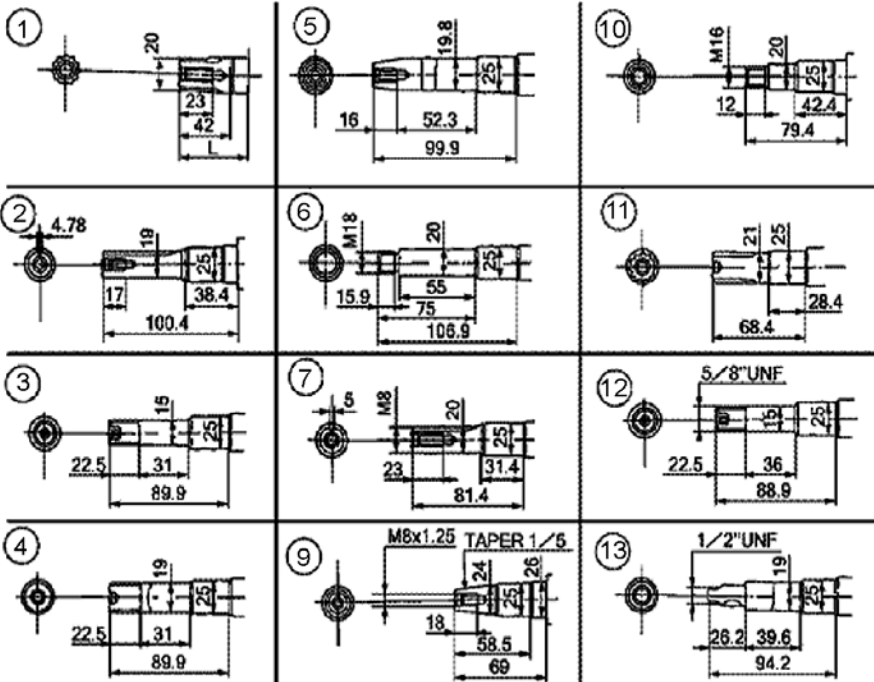
| Item | Part No. | Description | qty | Un | S/N from | S/N to | Ordering PN | Page |
|------|---------------|-------------|-----|----|----------|--------|-------------|------|
| 18 | 87516-Z4H-800 | | 1 | UN | | | | |



Z4M0-E0600A

GX160UT1 WKS E-6

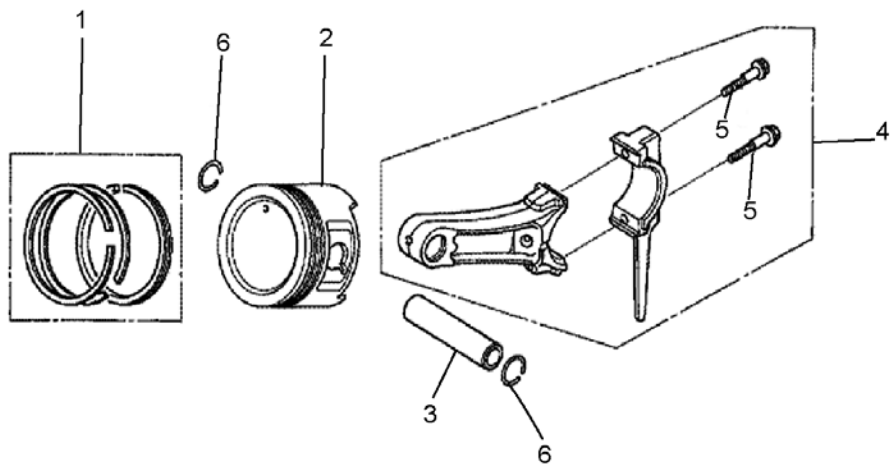
| Item | Part No. | Description | qty | Un | S/N from | S/N to | Ordering PN | Page |
|------|---------------|-------------|-----|----|----------|--------|-------------|------|
| 2 | 11300-ZE1-634 | | 1 | UN | | | | |
| 3 | 11381-ZH8-801 | | 1 | UN | | | | |
| 4 | 15600-Z0T-810 | | 1 | UN | | | | |
| 5 | 15600-Z0T-820 | | 1 | UN | | | | |
| 6 | 15625-Z0T-800 | | 1 | UN | | | | |
| 7 | 91201-Z0T-801 | | 1 | UN | | | | |
| 8 | 94301-08140 | | 2 | UN | | | | |
| 9 | 95701-0803200 | | 6 | UN | | | | |
| 10 | 96100-6205000 | | 1 | UN | | | | |
| 11 | 15625-Z0T-800 | | 1 | UN | | | | |



Z4M0-E0700B

GX160UT1 WKS E-7

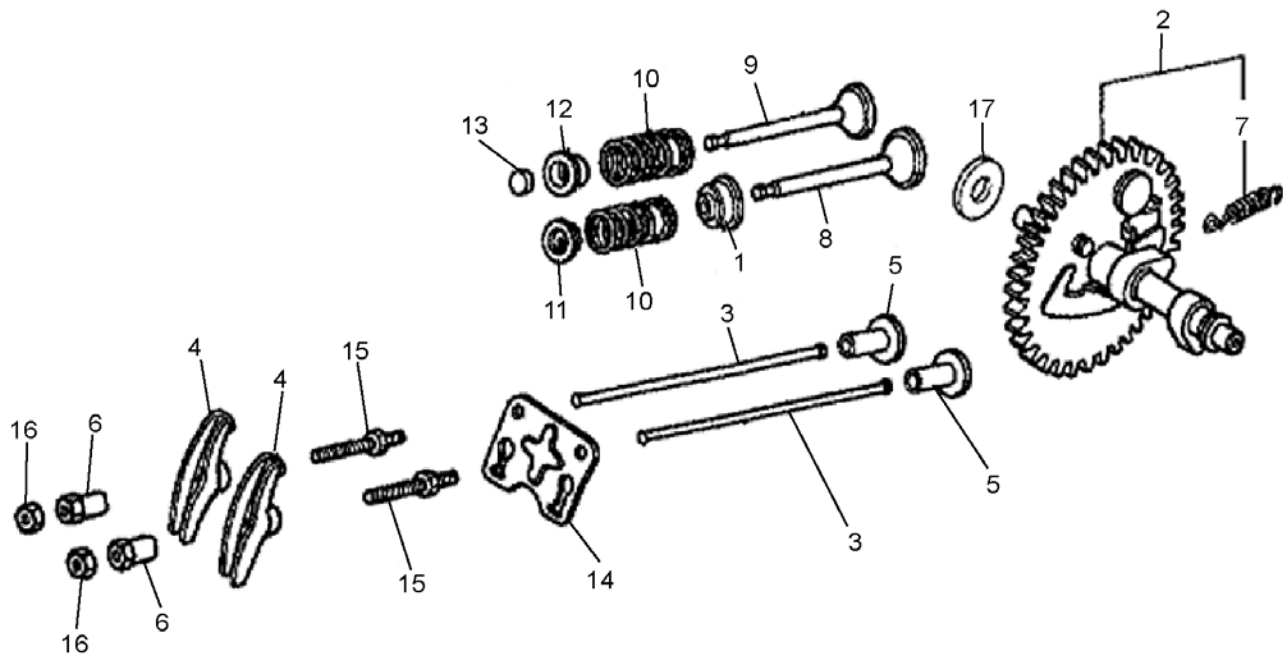
| Item | Part No. | Description | qty | Un | S/N from | S/N to | Ordering PN | Page |
|------|---------------|-------------|-----|----|----------|--------|-------------|------|
| 10 | 13310-Z0T-870 | | 1 | UN | | | | |



Z4M0-E0800

GX160UT1 WKS E-8

| Item | Part No. | Description | qty | Un | S/N from | S/N to | Ordering PN | Page |
|------|---------------|-------------|-----|----|----------|---------|-------------|------|
| 1 | 13010-Z0T-801 | | 1 | UN | | 1706983 | | |
| 1 | 13010-Z4K-004 | | 1 | UN | | | | |
| 1 | 13010-Z4M-003 | | 1 | UN | 1706984 | | | |
| 1 | 13011-Z0T-801 | | -1 | UN | | 1706983 | | |
| 1 | 13011-Z4K-004 | | -1 | UN | 1706984 | | | |
| 1 | 13011-Z4M-003 | | -1 | UN | | | | |
| 1 | 13012-Z0T-801 | | -1 | UN | | 1706983 | | |
| 1 | 13012-Z4K-004 | | -1 | UN | 1706984 | | | |
| 1 | 13012-Z4M-003 | | -1 | UN | 1706984 | | | |
| 1 | 13013-Z0T-801 | | -1 | UN | | 1706983 | | |
| 1 | 13013-Z4K-004 | | -1 | UN | | | | |
| 1 | 13013-Z4M-003 | | -1 | UN | 1706984 | | | |
| 2 | 13101-Z0T-810 | | 1 | UN | | 1706983 | | |
| 2 | 13101-ZH8-020 | | 1 | UN | 1706984 | | | |
| 2 | 13102-Z0T-810 | | -1 | UN | | 1706983 | | |
| 2 | 13102-ZH8-020 | | -1 | UN | 1706984 | | | |
| 2 | 13103-Z0T-810 | | -1 | UN | | 1706983 | | |
| 2 | 13103-ZH8-020 | | -1 | UN | 1706984 | | | |
| 2 | 13104-Z0T-810 | | -1 | UN | | 1706983 | | |
| 2 | 13104-ZH8-020 | | -1 | UN | | | | |
| 3 | 13111-ZE1-000 | | 1 | UN | | | | |
| 4 | 13200-Z0T-800 | | 1 | UN | | | | |
| 5 | 90001-ZE1-000 | | 2 | UN | | | | |
| 6 | 90551-ZE1-000 | | 2 | UN | | | | |



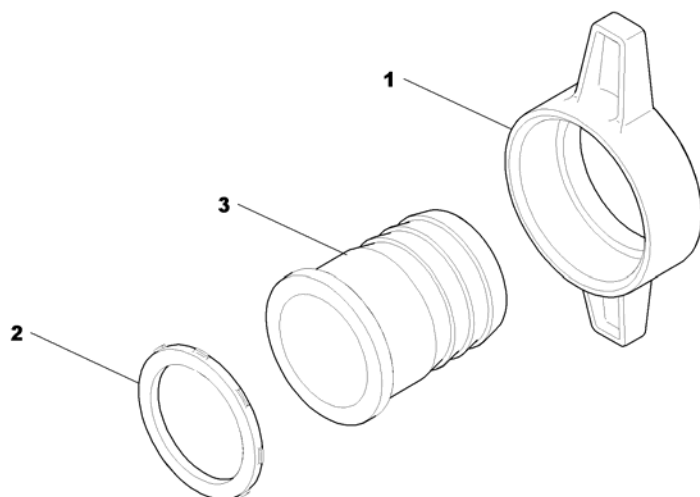
Z4M0-E0900A

GX160UT1 WKS E-9

| Item | Part No. | Description | qty | Un | S/N from | S/N to | Ordering PN | Page |
|------|---------------|-------------|-----|----|----------|--------|-------------|------|
| 1 | 12209-ZH8-003 | | 1 | UN | | | | |
| 2 | 14100-ZE1-812 | | 1 | UN | | | | |
| 3 | 14410-ZE1-010 | | 2 | UN | | | | |
| 4 | 14431-ZE1-000 | | 2 | UN | | | | |
| 5 | 14441-ZE1-010 | | 2 | UN | | | | |
| 6 | 14451-ZE1-013 | | 2 | UN | | | | |
| 7 | 14568-ZE1-000 | | 1 | UN | | | | |
| 8 | 14711-ZF1-000 | | 1 | UN | | | | |
| 9 | 14721-ZF1-000 | | 1 | UN | | | | |
| 10 | 14751-ZF1-000 | | 2 | UN | | | | |
| 11 | 14771-ZE1-000 | | 1 | UN | | | | |
| 12 | 14773-ZE1-000 | | 1 | UN | | | | |
| 13 | 14781-ZE1-000 | | 1 | UN | | | | |
| 14 | 14791-ZE1-010 | | 1 | UN | | | | |
| 15 | 90012-ZE0-010 | | 2 | UN | | | | |
| 16 | 90206-ZE1-000 | | 2 | UN | | | | |

COUPLING SET

30₃₉₈



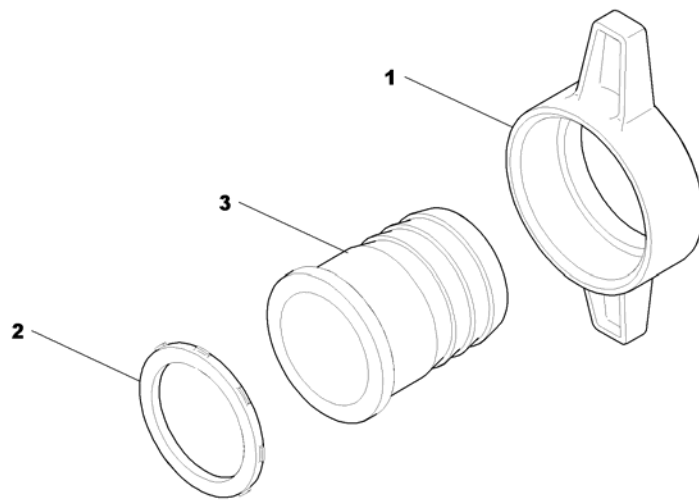
COUPLING SET

330490076

| Item | Part No. | Description | qty | Un | S/N from | S/N to | Ordering PN | Page |
|------|-----------|-------------------------|-----|----|----------|--------|-------------|------|
| 1 | 330490029 | COUPLING ABS | 2 | UN | | | | |
| 1 | 330490029 | COUPLING ABS | 1 | UN | | | | |
| 2 | 330490001 | NIPPLE (ABS) | 1 | UN | | | | |
| 2 | 330490001 | NIPPLE (ABS) | 2 | UN | | | | |
| 3 | 330490030 | COUPLING PACKING NBR | 2 | UN | | | | |
| 3 | 330490030 | COUPLING PACKING NBR | 1 | UN | | | | |

COUPLING SET

30₃₉₈



COUPLING SET
330490076

| Item | Part No. | Description | qty | Un | S/N from | S/N to | Ordering PN | Page |
|------|-----------|-------------------------|-----|----|----------|--------|-------------|------|
| 1 | 330490029 | COUPLING ABS | 2 | UN | | | | |
| 1 | 330490029 | COUPLING ABS | 1 | UN | | | | |
| 2 | 330490001 | NIPPLE (ABS) | 1 | UN | | | | |
| 2 | 330490001 | NIPPLE (ABS) | 2 | UN | | | | |
| 3 | 330490030 | COUPLING PACKING NBR | 2 | UN | | | | |
| 3 | 330490030 | COUPLING PACKING NBR | 1 | UN | | | | |

MISCELLANEOUS

MISCELLANEOUS

D58208

| Item | Part No. | Description | qty | Un | S/N from | S/N to | Ordering PN | Page |
|------|-----------|--|-----|----|----------|--------|-------------|------|
| 1 | 330490274 | OUTER CARTON | 1 | UN | | | | |
| 2 | 011597205 | MANUAL | 1 | UN | | | | |
| 3 | 011597302 | PRECAUTION AND SAFETY RULE | 1 | UN | | | | |
| 4 | 011603002 | CLAUSES OF GUARANTEE | 1 | UN | | | | |
| 5 | 011471302 | CAUTION LABEL (NON REPRESENTE) | 1 | UN | | | | |
| 6 | 011473401 | ENGINE CAUTION LABEL A (NON REPRESENTE) | 1 | UN | | | | |
| 7 | 011473501 | ENGINE CAUTION LABEL B (NON REPRESENTE) | 1 | UN | | | | |
| 8 | 011605102 | BAR CODE LABEL | 1 | UN | | | | |
| 9 | 011628301 | EU NOISE LABEL (105) (NON REPRESENTE) | 1 | UN | | | | |
| 10 | 011565201 | CE MARK LABEL | 1 | UN | | | | |